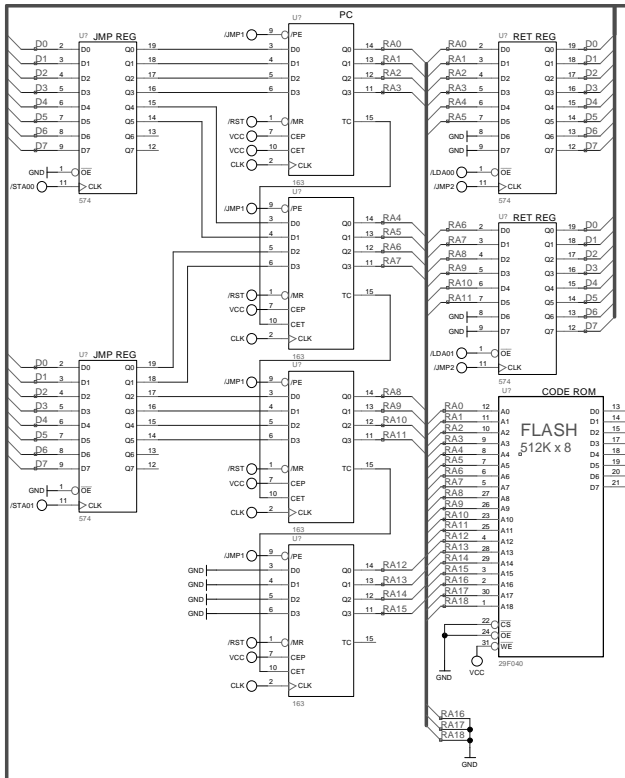
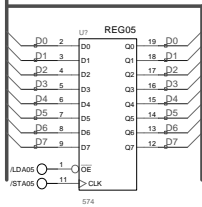


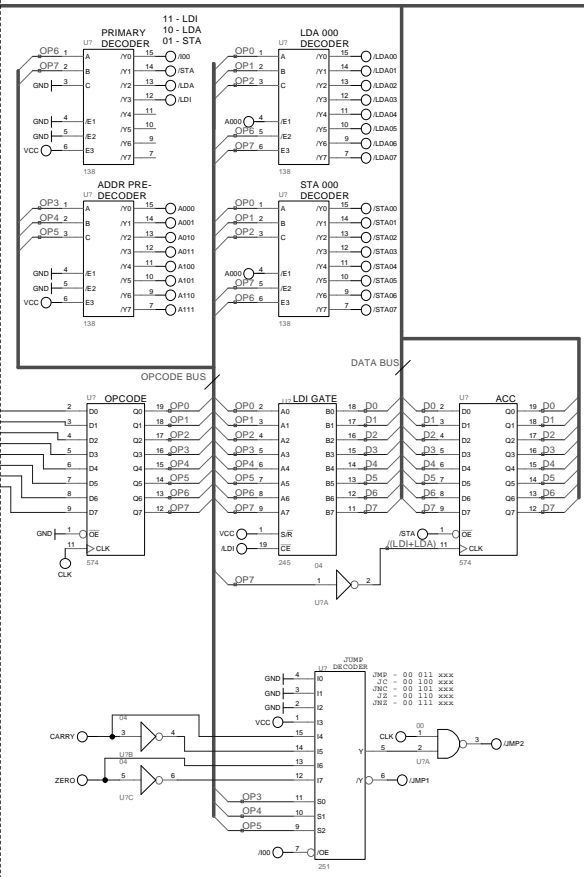
PROGRAM COUNTER & JUMP



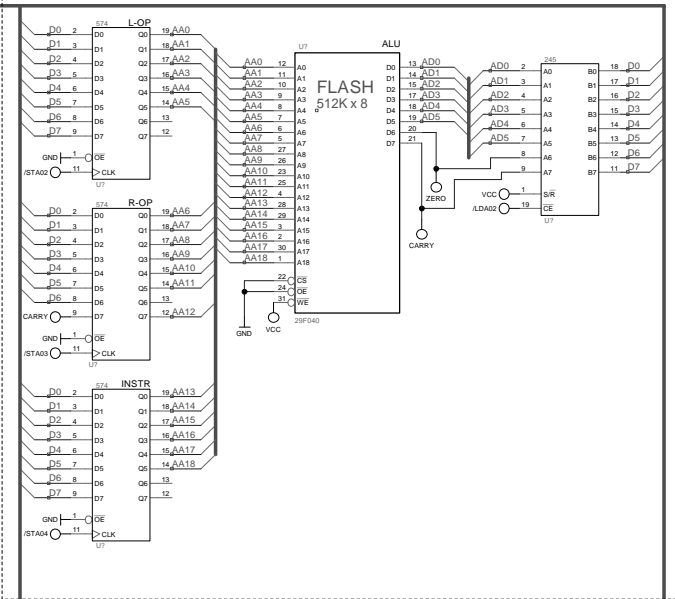
REGISTERS



OPCODE LATCH & DECODER



ALU



INPUT/OUTPUT

